



SPECIFICATION

Product Name

Multipole power connector

Part No

SG350 Series

一、 Outline and dimensions: Outline and dimensions of the connector is shown on the following drawing

二、 Technical Parameters:

1. Product Specifications

1-1.Rated current(Amperes): 350A

1-2.Rated voltage(Volts): 600V

1-3.Insulation Resistance:5000MΩ

1-4.contact Resistance(micro-ohms): <40

1-5.Voltage Proof:2200V(DC)

1-6.Life:

a. Without load(Contact/Disconnect Cycles):To 10000

b. With Load(Hot Plug 250 Cycles& 120V):100A

1-7.Flammability:UL94 V-0

1-8.Average.Connection/disconnect(N):280N

a. The pulling capacity between wire and terminal, It' s in line with UL standard

1-9.Contact Barrel Wire Size(AWG):1/0AWG~3/0AWG

1-10.Connector holding force(LBF):500N Min

1-11.Environment Temperatures(°C):-20°C---125°C

2. Material and Surface performance

2-1.Material of terminal: Red copper

2-2.Process of production: Precision punching

2-3.Fully Ag-plating on surface, it's Ag-plating thickness is 1μm

2-4.Shrapnel:Stainless steel

2.5.Process of production: Precision punching

2-6.Housing: Material PC

2-7. Process of production: Plastic Injection

三、 (Packing and Storage)

1. Standard packing qty: 50pcs/carton for connector; 100pcs/carton for terminal; mate with way: 1connector uses 2 terminal.

2.The products storage condition: temperature: 5-30 °C ,relative humidity:80%, store in no acidic nor alkaline and no corrosive atmosphere warehouse, storage period: 2years.

SPECIFICATION

Product Name

Multipole power connector

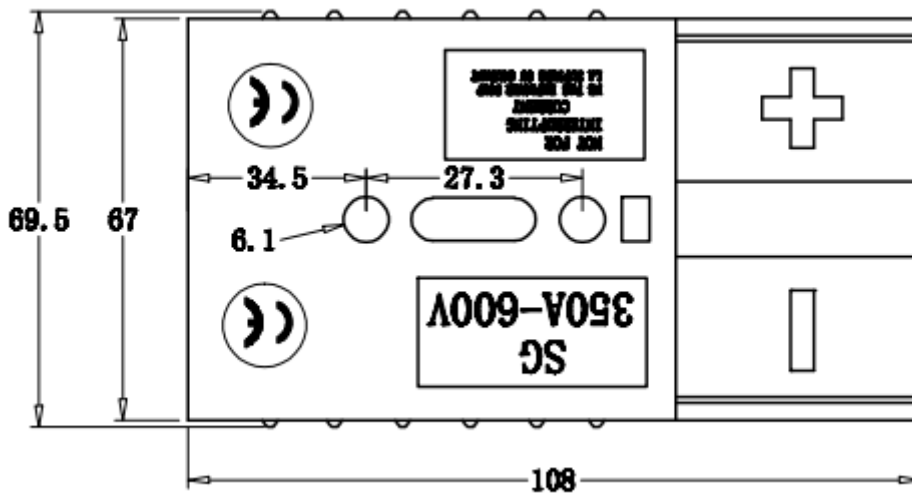
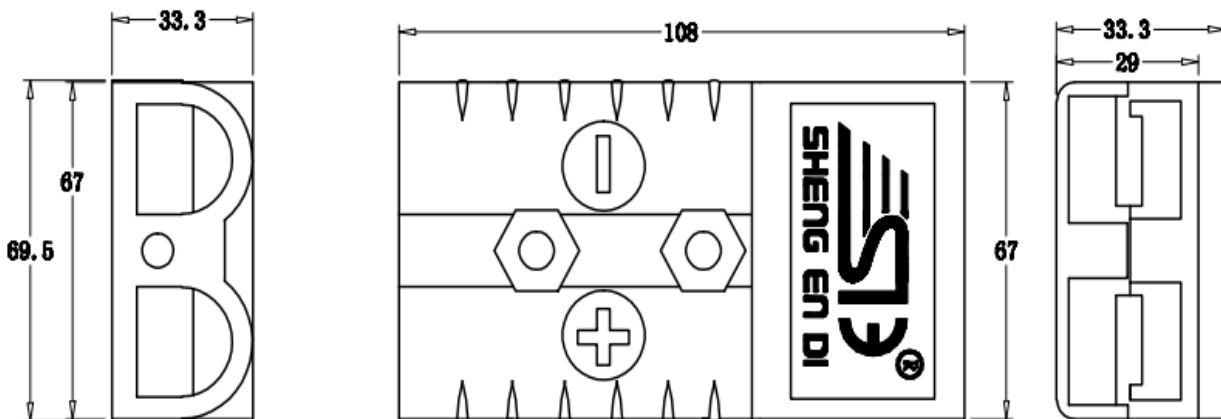
Part No

SG350 Series

四、Ordering Information

1.Housing

Part Number	Housing Color	Part Number	Housing Color
SG350H-BL	Black	SG350H-GR	Green
SG350H-BR	Brown	SG350H-BU	Blue
SG350H-RE	Red	SG350H-PU	Purple
SG350H-OR	Orange	SG350H-GY	Gray
SG350H-YE	Yellow	SG350L-WH	White



SPECIFICATION

Product Name

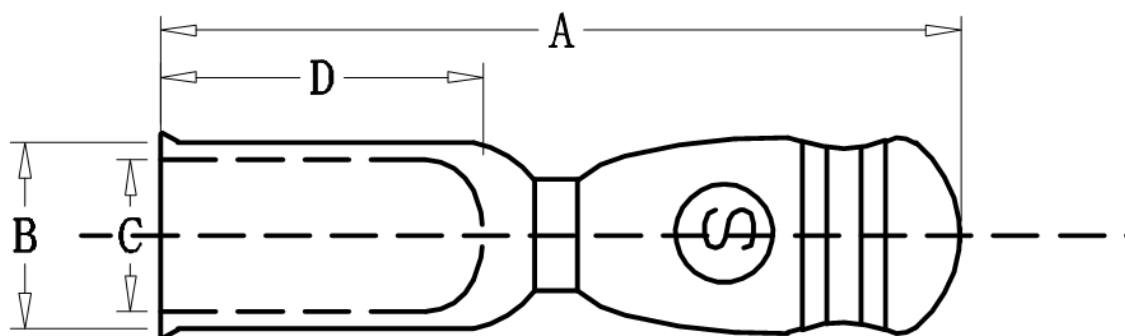
Multipole power connector

Part No

SG350 Series

2.Terminal

Part Number	-A- (mm)	-B- (mm)	-C- (mm)	-D- (mm)	Wire size	Current
SGD907-T	77.6	15.8	12.8	36.0	1/0AWG	350A
SGD917-T	78.3	20.0	15.0	33.0	2/0AWG	350A



Item	Name	QTY	Material	Remarks	Remarks: 1. Please fax to us the CS when you confirmed. (Fax : 0769-27280273) 。 2. If the products listed in the book need to be re-opened for more than 1 year, please fax the copy to our company for confirmation.		
1	Housing	1	PC1010				
2	Shrapnel	2	Stainless steel				
3	Terminal	2	Red copper	Ag-plating thickness			
Revision	Change the content			Date	Producer	Corrector	Approved
					Anne	Jack	David Xiao
					Proportion		1:1
					Unit		MM

SPECIFICATION

Product Name

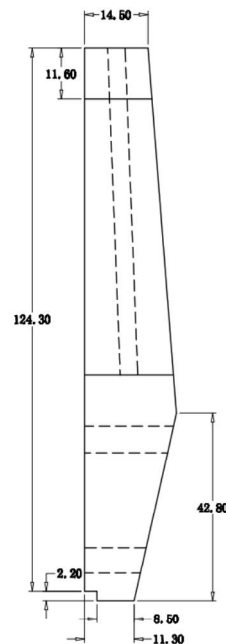
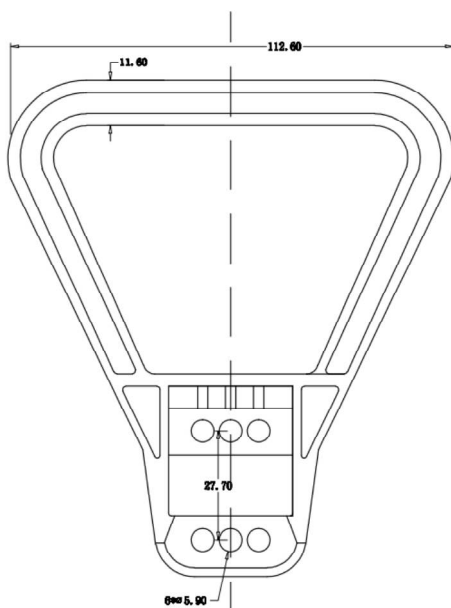
Multipole power connector

Part No

SG350 Series

3.Auxiliary-Handle

Part Number	-A- (mm)	-B- (mm)	-C- (mm)	-D- (mm)	-E- (mm)	-F- (mm)	-G (mm)
SG112G3-RE	41	113	6.6	6.0	125.5	28.7	76.0
SG112G3-GY	41	113	6.6	6.0	125.5	28.7	76.0



Item	Name	QTY	Material	Remarks	Remarks: 1. Please fax to us the CS when you confirmed. (Fax : 0769-27280273) 。 2. If the products listed in the book need to be re-opened for more than 1 year, please fax the copy to our company for confirmation.		
1	Handle	1	PC				
2	Screw	2	Iron	Zinc-plating			
3	Nut	2	Iron	Zinc-plating			
Revision	Change the content			Date	Producer	Corrector	Approved
					Anne	Jack	David Xiao
					Proportion		1:1
					Unit		MM

SPECIFICATION

Product Name

Multipole power connector

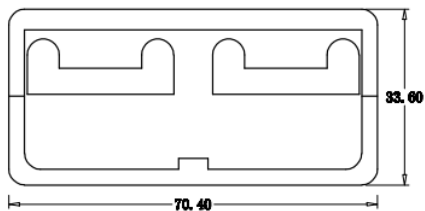
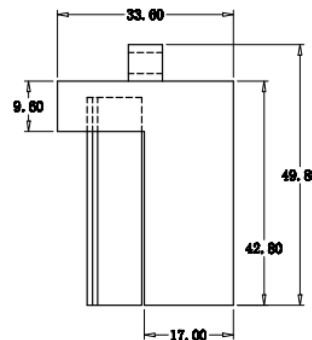
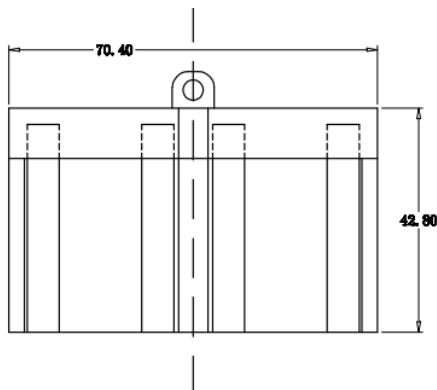
Part No

SG350 Series

4. Dust cover:

Part Number

SG114F2-BL



5.Solid line plug:

Part Number

S116F1-RE



SPECIFICATION

Product Name

Multipole power connector

Part No

SG350 Series

5.Dust cover:

Part Number
SG114F1-BL
SG114F1-RE

