

规格书 SPECIFICATION

产品名称 Product Name

50A 双极连接器

规格型号 Part No

SG50 Series

一、尺寸结构 Outline and dimensions: 见连接器图纸 Outline and dimensions of the connector is shown on the following drawing

二、技术参数 Technical Parameters:

1. 产品特性要求 Product Specifications

1-1.额定电流(安培)Rated current(Ampere): 50A

1-2.额定电压(伏特)Rated voltage(Volts): 600V

1-3.绝缘电阻 Insulation Resistance: $>9900M\Omega$

1-4.接触电阻 (微欧) average contact Resistance(micro-ohms): $<5m\Omega$

1-6.寿命 Life:

a.空载状态 (连接/断开次) Without load(Contact/Disconnect Cycles):To 5000

1-7.防火等级 Flammability:UL94 V-0

1-8.插拔力 Average. Connection/disconnect(N): 90 ± 8

a.成品插入力 The insertion force of finished products: $\geq 9kgf$

b.成品拨出力 The pullout force of finished products: $\geq 10kgf$

c.线材与端子拉拔力, 参考同规 UL 标准. The pulling capacity between wire and terminal, It' s in line with UL standard

1-9.连接线径尺寸 (AWG) Contact Barrel Wire Size(AWG):6~12AWG

1-10.环境温度 (°C) Environment Temperatures(°C):-20°C---75°C

2. 材料及表面处理 Material and Surface performance

2-1.端子材料 Material of terminal:紫铜 Red copper

2-2.生产工艺 Process of production:精密冲压 Precision punching

2-3.表面处理: 镀银 $0.5\mu m$,Fully Ag-plating on surface, it's Ag-plating thickness is $0.5\mu m$

2-4. 盐雾测试: 48H

2-5.弹片 Shrapnel:不锈钢 Stainless steel (304)

2-5.生产工艺 Process of production:精密冲压 Precision punching

2-6.胶壳 Housing: 材料 Material PC

2-7. 生产工艺 Process of production:注塑成型 Plastic Injection

三、包装储存 (Packing and Storage)

1.胶壳最小包数 50PCS/袋, 端子最小包装 200PCS/袋, 配用方式: 一对二. Standard packing qty:50pcs/bag for connector;200pcs/bag for terminal; mate with way:1connector uses 2 terminal.

2.产品储存环境温度: 5-30°C, 相对湿度在 80%以下, 周围空气中无酸, 碱等腐蚀气体的仓库中, 储存期为两年. The products storage condition:temperature: 5-30 °C ,relative humidity:80%,store in no acidic nor alkaline and no corrosive atmosphere warehouse,storage period:2years.

规格书 SPECIFICATION

产品名称 Product Name

50A 双极连接器

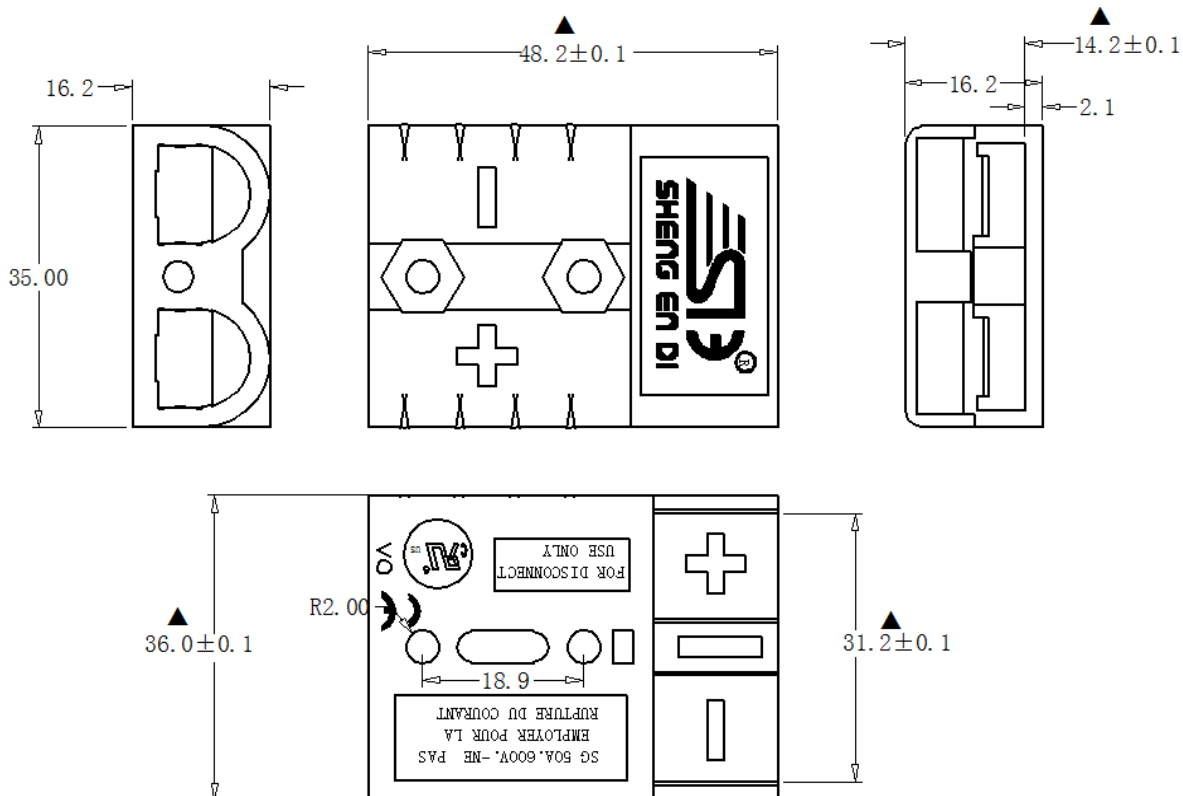
规格型号 Part No

SG50 Series

四、Ordering Information

1.Housing

Part Number	Housing Color	Part Number	Housing Color
SG50H-BL	Black	SG50H-GR	Green
SG50H-BR	Brown	SG50H-BU	Blue
SG50H-RE	Red	SG50H-PU	Purple
SG50H-OR	Orange	SG50H-GY	Gray
SG50H-YE	Yellow	SG50L-WH	White



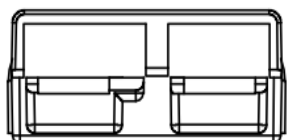
规格书 SPECIFICATION

产品名称 Product Name

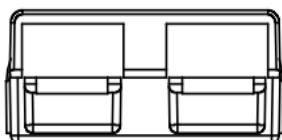
50A 双极连接器

规格型号 Part No

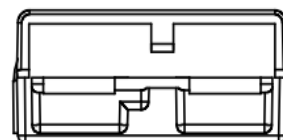
SG50 Series



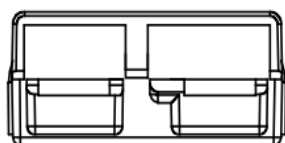
SG50A-600A
OR (橙色)



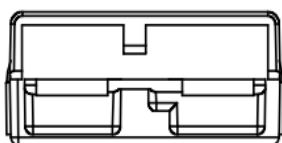
SG50A-600A
BL (黑色)



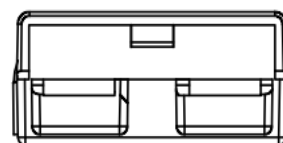
SG50A-600A
BU (蓝色)



SG50A-600A
GR (绿色)



SG50A-600A
YE (黄色)



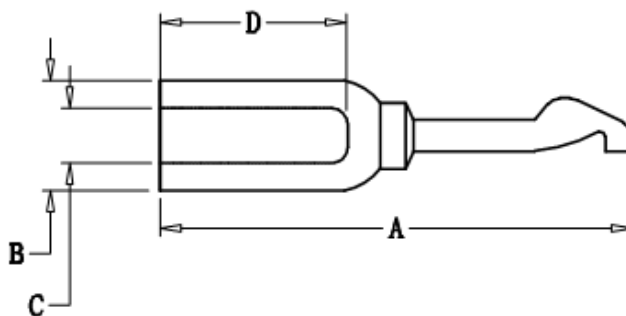
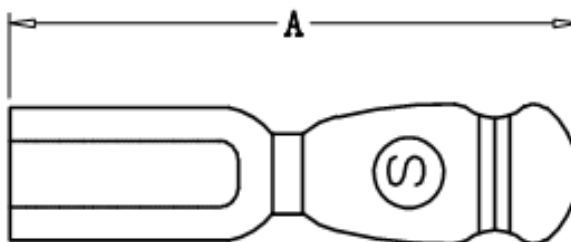
SG50A-600A
RE (红色)

规格书 SPECIFICATION

产品名称 Product Name 50A 双极连接器

规格型号 Part No SG50 Series

Part Number	-A-(mm)	-B-(mm)	-C-(mm)	-D-(mm)	Wire size	Current
SGD5900-T	29.6	6.9	5.6	12.2	6AWG	50A
SGD5952-T	29.6	6.9	4.7	12.2	8AWG	50A
SGD5915-T	29.6	6.9	3.5	12.2	10-12AWG	50A



Item	Name	QTY	Material	Remarks	Remarks:		
1	Housing	1	PC		1. Please fax to us the CS when you confirmed. (Fax : 0769-27280273) 。 2. If the products listed in the book need to be re-opened for more than 1 year, please fax the copy to our company for confirmation.		
2	Shrapnel	2	Stainless steel				
3	Terminal	2	Red copper	Ag-plating thickness			
Revision	Change the content			Date	Producer	Corrector	Approved
					Anne	Jack	David Xiao
					Proportion		1:1
					Unit		MM

规格书 SPECIFICATION

产品名称 Product Name

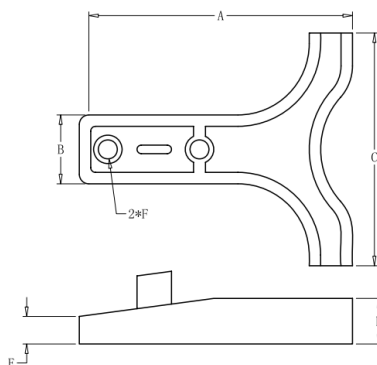
50A 双极连接器

规格型号 Part No

SG50 Series

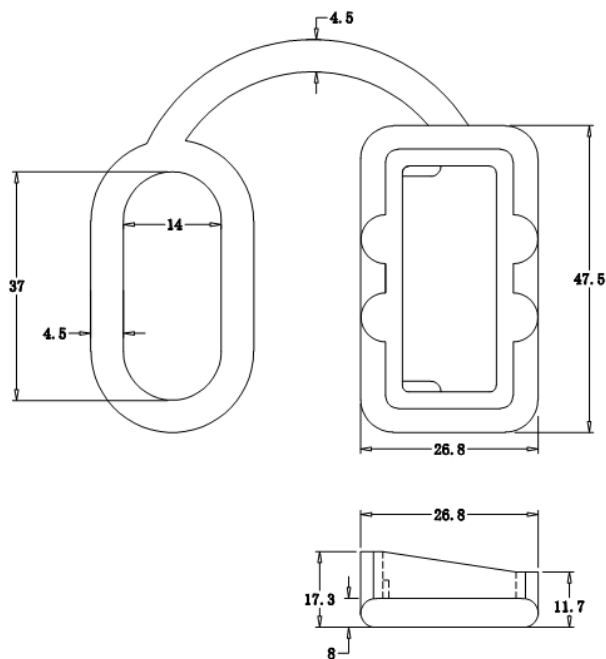
3.Handle

Part Number	-A- (mm)	-B- (mm)	-C- (mm)	-D- (mm)	-E- (mm)	-F- (mm)
SG112G1-RE	5.5	14.5	49	9.6	5.8	4.0
SG112G1-GY	9.6	49	3.5	19.0	14.5	55.5



4. Dust cover:

Part Number
SG111F1-RE
SG111F1-BL



规格书 SPECIFICATION

产品名称 Product Name

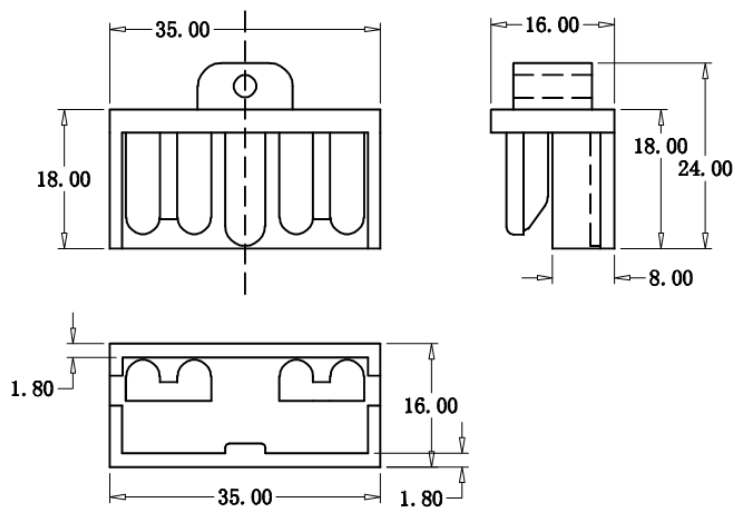
50A 双极连接器

规格型号 Part No

SG50 Series

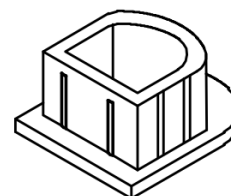
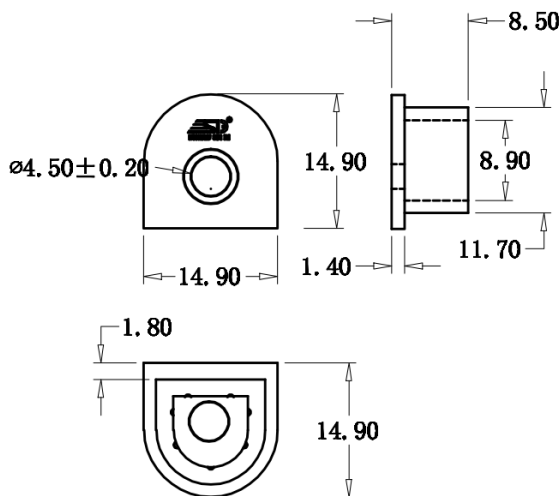
5. Dust cover:

Part Number
SG111F2-BL



6. Solid line plug:

Part Number
SG111F3-RE
SG111F3-BL





规格书 SPECIFICATION

产品名称 Product Name

50A 双极连接器

规格型号 Part No

SG50 Series

7:固线塞

规格书 SPECIFICATION

产品名称 Product Name

50A 双极连接器

规格型号 Part No

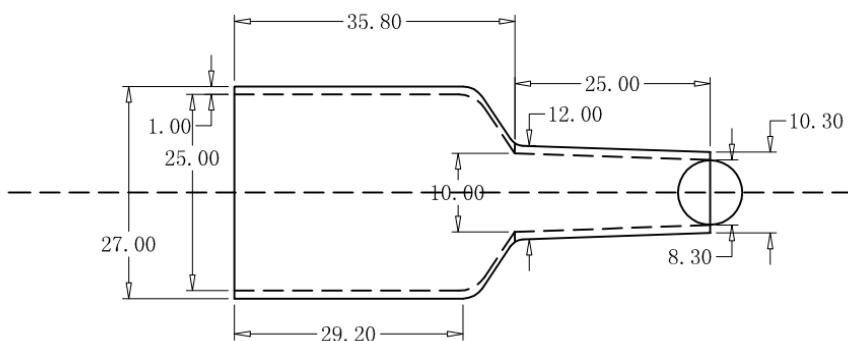
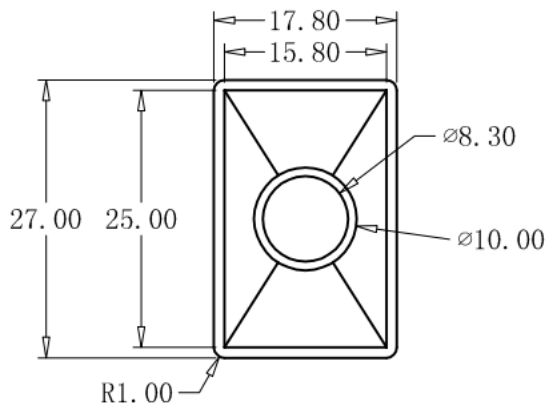
SG50 Series

7. waterproof plug:

Part Number

HU50A-RE

HU50A-BL



规格书 SPECIFICATION

产品名称 Product Name 50A 双极连接器

规格型号 Part No SG50 Series

8 waterproof plug

